



OAKTON

72" x 40" Drop-In Acrylic Combo Bath

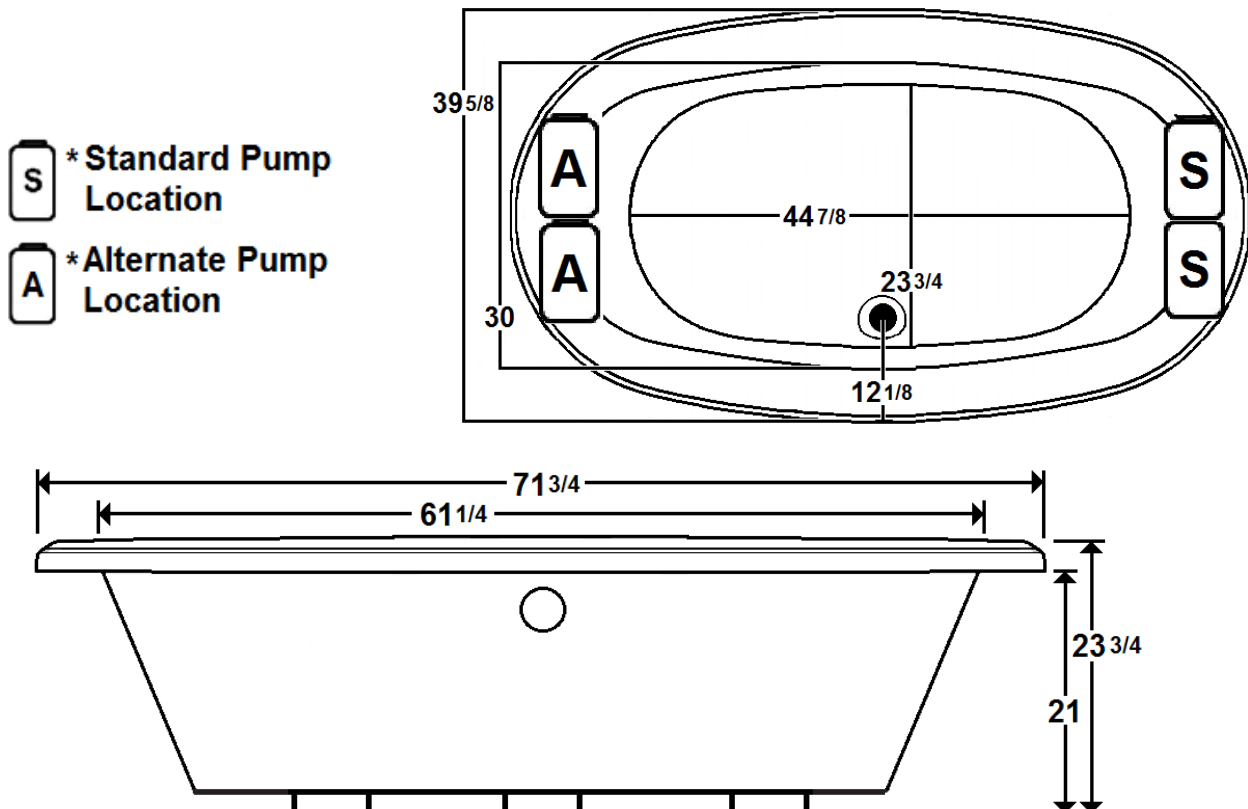
Model Number
72400WA064
Drop-In Combo Bath in White

Features

- Color-matched jet trim
- 10 adjustable hydrotherapy jets
- 24 high output lateral air jets
- Constructed of high-gloss durable acrylic
- 3-Speed control for the 13 Amp pump
- 12.0 Amp variable speed blower
- Mood light included
- Inline heater available – LM300
- Pre-leveled base for easy installation
- Made in the USA



All dimensions are +/- 1/2" and subject to change without notice



Technical Information

- Weight: 175 lbs.
- Water Depth to Overflow: $16\frac{1}{2}$ "
- Water Operating Level:
- Water Capacity: 78 gal.
- Sump Dimension: $44\frac{7}{8}$ " x $23\frac{3}{4}$ "

Electrical Requirements

- Standard Pump: 13 Amps
- Standard Blower: 12 Amps
- (Optional) LM300 Heater: 12 Amps
- Dedicated GFCI's required for each option

Combo Bath

Experience a deep tissue, high intensity whirlpool massage, or a light, relaxing, gentle full body air massage or anything in between. Enjoy the feeling of well-being, while obtaining better blood circulation, improved flexibility, soothed muscles and reduced tension

Laurel Mountain enables you to enhance your bathing experience by offering a broad range of options to customize your bath. The options available on this bath are shown below.

AVAILABLE OPTIONS & UPGRADES

For Pricing, visit the "Help" page at www.laurelmountainwhirlpools.com. Download the Price book. For pictures and descriptions of options, go to www.laurelmountainwhirlpools.com and click "options" tab found at the bottom of the website.

Therapeutic

LM300 Inline Heater	BACK MASSAGE SYSTEMS	
LM500 Extra Jets (x2)	LM505 Chrome	LM509 White
	LM506 Brushed Nickel	LM510 Biscuit
	LM507 Bronze	

Accessories

WHIRLPOOL TRIM KITS	CABLE OPERATED DRAINS	LM335 Ozonator (Sanitizing System)
LM101 Chrome	LM200 Chrome	
LM102 Brushed Nickel	LM201 Brushed Nickel	
LM103 Bronze	LM202 Bronze	
	LM210 White	
	LM211 Biscuit	

Design / Construction

LM545 A-1 Pump Loc

INSTALLATION

Install this unit according to the Owner's Manual. The Owner's manual can be found by visiting the "Help" page at www.laurelmountainwhirlpools.com. Select "Installation" on the right side of the page. Then click on the "Colony Owner's Manual".